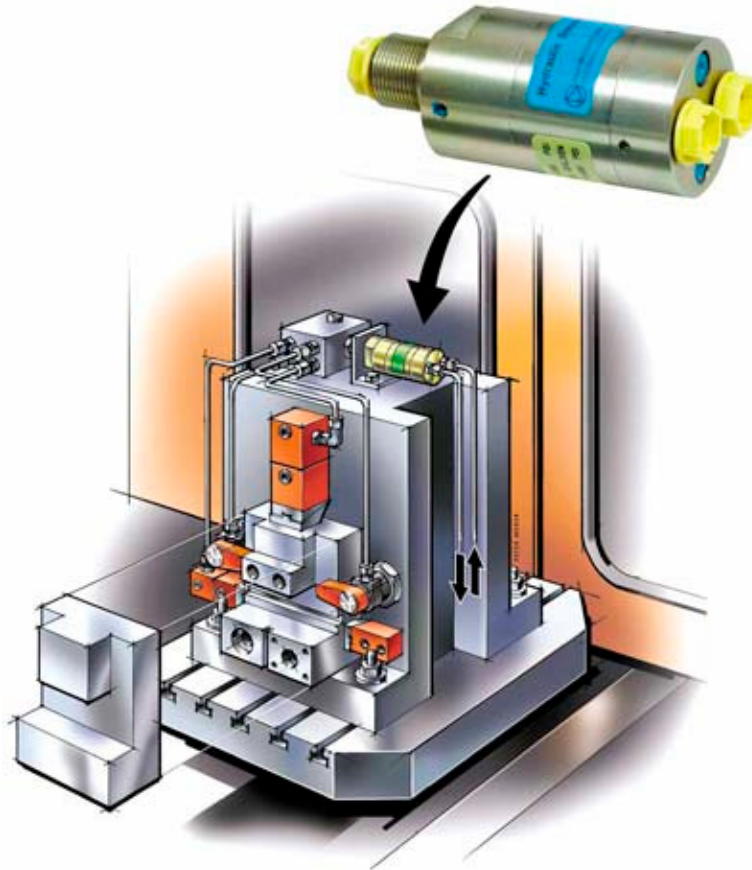




See examples of applications within:

- Rescue
- Mobile
- Offshore
- Power packs
- Railroad

Workholding Applications



miniBOOSTER is commonly used to operate clamps and support cylinders in workholding systems. Low machine tool hydraulic pressure is used to produce a high pressure supply saving both energy and space.

Well-proven applications:

- Clamp and support cylinders on pallets
- Rail clamping on machine centres
- Unclamping of spindle heads
- Rotating knives and clamps on turning machines

ISO 9001
BUREAU VERITAS
Certification

